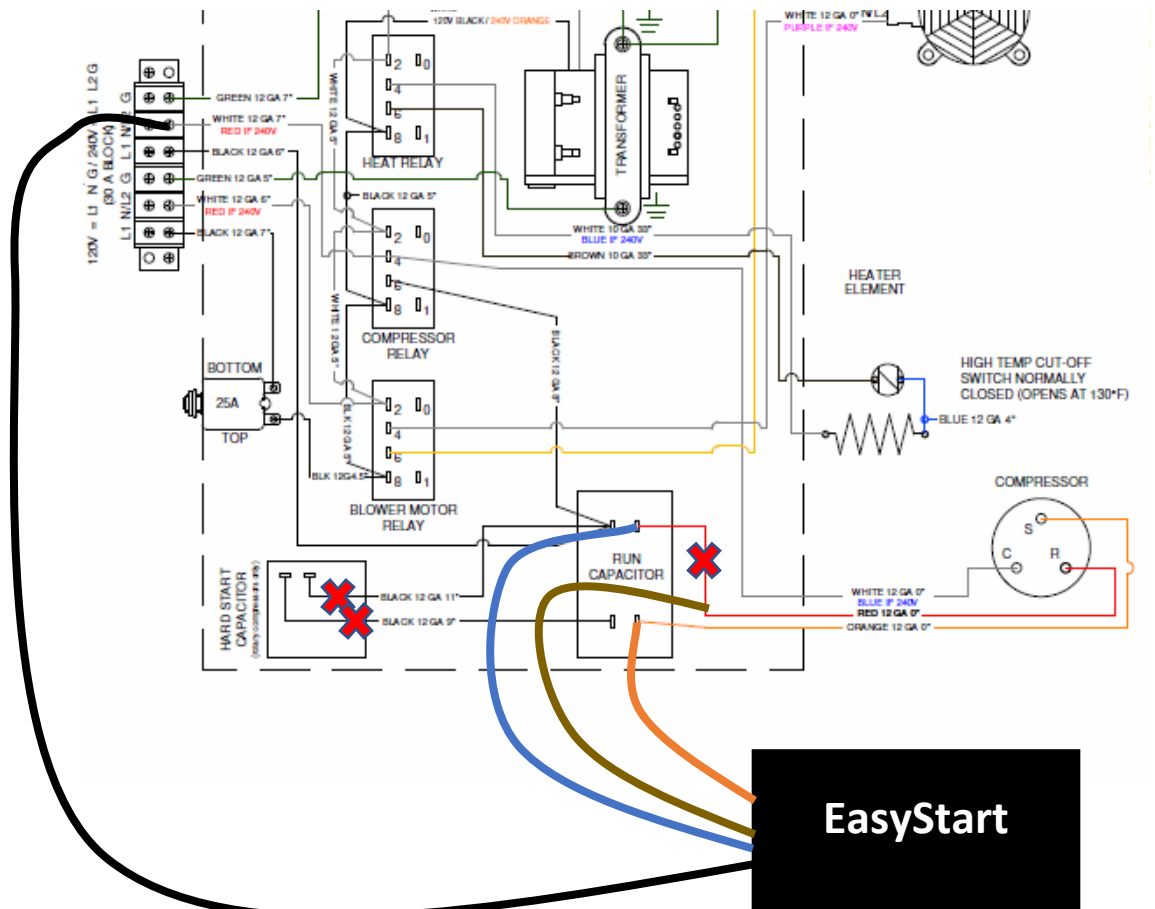


Flagship Marine AC EasyStart Wiring



1. Identify the run capacitor. This is a silver can several inches tall with spade connectors on top.
2. Disconnect the red wire from the run capacitor (red X on the red wire) and connect it to the BROWN wire from EasyStart.
3. Connect the WHITE wire from EasyStart (shown in BLUE above) to the empty terminal created in step 2.
4. Connect the ORANGE wire from EasyStart to the run capacitor terminal group with the orange wire. Do not remove the orange wire.
5. Completely remove both black wires from the hard start capacitor to the run capacitor. (Two red X's on the hard start capacitor).
6. Connect the BLACK wire from EasyStart to the power terminal block on the pump L2/N terminal.
7. Do 5 learning starts on shore power before starting on your generator. Please note there is a 5-minute timer in EasyStart that will prevent short cycling. The compressor will start after this timer expires.